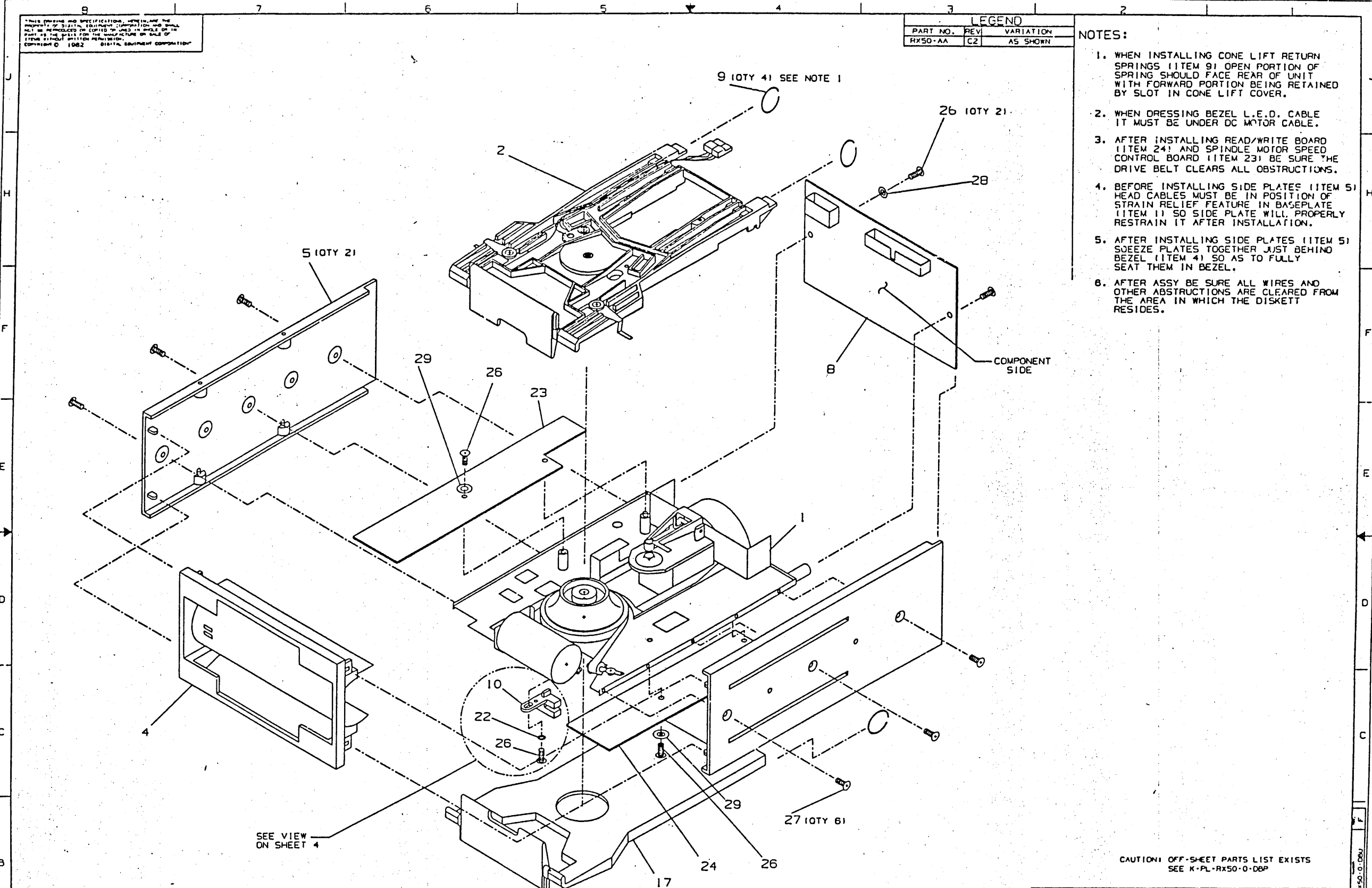




THIS DRAWING AND SPECIFICATIONS ARE THE PROPERTY OF DIGITAL EQUIPMENT CORPORATION AND SHALL NOT BE REPRODUCED OR COPIED IN WHOLE OR IN PART FOR THE BASIS FOR THE MANUFACTURE OR SALE OF ITEMS WITHOUT WRITTEN PERMISSION.  
 COPYRIGHT © 1982 DIGITAL EQUIPMENT CORPORATION

| LEGEND   |      |           |
|----------|------|-----------|
| PART NO. | REV. | VARIATION |
| RX50-AA  | C2   | AS SHOWN  |

- NOTES:
1. WHEN INSTALLING CONE LIFT RETURN SPRINGS (ITEM 9) OPEN PORTION OF SPRING SHOULD FACE REAR OF UNIT WITH FORWARD PORTION BEING RETAINED BY SLOT IN CONE LIFT COVER.
  2. WHEN DRESSING BEZEL L.E.D. CABLE IT MUST BE UNDER DC MOTOR CABLE.
  3. AFTER INSTALLING READ/WRITE BOARD (ITEM 24) AND SPINDLE MOTOR SPEED CONTROL BOARD (ITEM 23) BE SURE THE DRIVE BELT CLEARS ALL OBSTRUCTIONS.
  4. BEFORE INSTALLING SIDE PLATES (ITEM 5) HEAD CABLES MUST BE IN POSITION OF STRAIN RELIEF FEATURE IN BASEPLATE (ITEM 1) SO SIDE PLATE WILL PROPERLY RESTRAIN IT AFTER INSTALLATION.
  5. AFTER INSTALLING SIDE PLATES (ITEM 5) SQUEEZE PLATES TOGETHER JUST BEHIND BEZEL (ITEM 4) SO AS TO FULLY SEAT THEM IN BEZEL.
  6. AFTER ASSY BE SURE ALL WIRES AND OTHER OBSTRUCTIONS ARE CLEARED FROM THE AREA IN WHICH THE DISKETT RESIDES.



CAUTION! OFF-SHEET PARTS LIST EXISTS  
 SEE K-PL-RX50-0-DBP

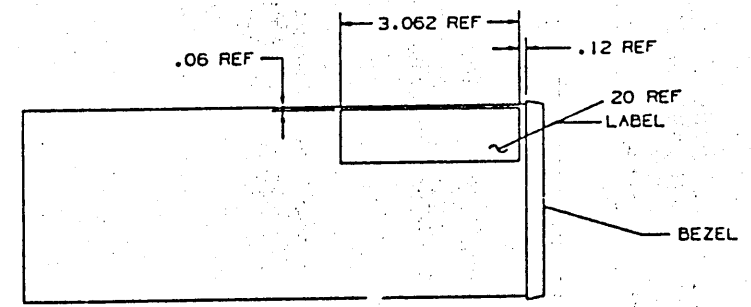
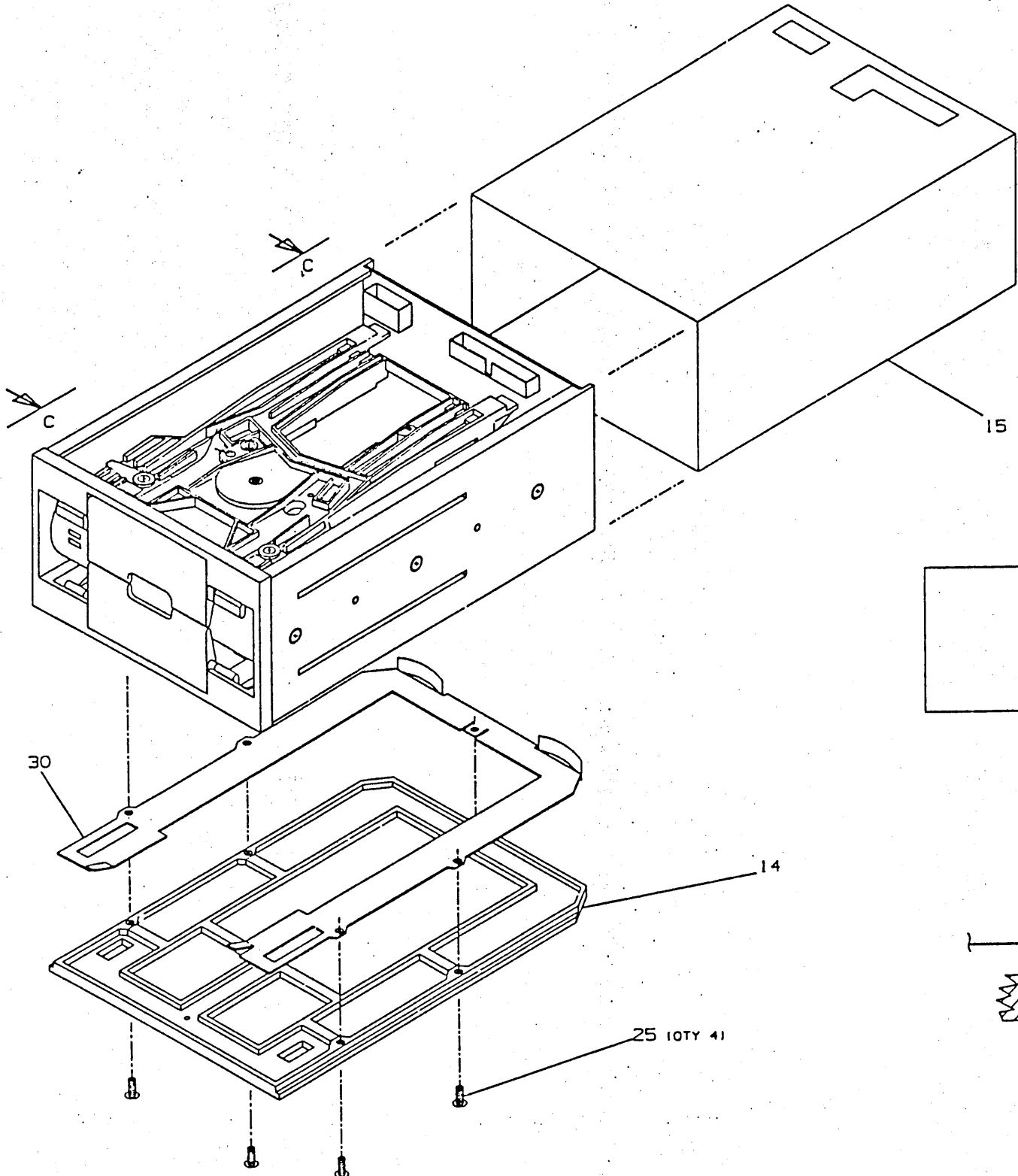
| REV. | DATE     | INITIAL       | DESCRIPTION |
|------|----------|---------------|-------------|
| A    | 11/20/80 | DALE WILLIAMS | INITIAL     |
| B    | 11/20/80 | DALE WILLIAMS | INITIAL     |
| C    | 11/20/80 | DALE WILLIAMS | INITIAL     |
| D    | 11/20/80 | DALE WILLIAMS | INITIAL     |
| E    | 11/20/80 | DALE WILLIAMS | INITIAL     |
| F    | 11/20/80 | DALE WILLIAMS | INITIAL     |
| G    | 11/20/80 | DALE WILLIAMS | INITIAL     |
| H    | 11/20/80 | DALE WILLIAMS | INITIAL     |
| I    | 11/20/80 | DALE WILLIAMS | INITIAL     |
| J    | 11/20/80 | DALE WILLIAMS | INITIAL     |

| DESCRIPTION  | DRAWING NO.     | PART NO. | REV. |
|--|-----------------|----------|------|
| UNLESS OTHERWISE SPECIFIED DIMENSIONS ARE IN INCHES AND THE FOLLOWING TOLERANCES APPLY (PER DEC STD 114) |                 |          |      |
| FINISH   | AS SHOWN        |          |      |
| UNIT   | INCHES          |          |      |
| SCALE  | 1:1             |          |      |
| DATE   | 11/20/80        |          |      |
| BY   | A. PINNARD      |          |      |
| CHECKED  | V. CARPSON      |          |      |
| APPROVED   | R. BARRON       |          |      |
| DESIGNED   | V. CARPSON      |          |      |
| TESTED   | P. RANTON       |          |      |
| FINISH   | NONE            |          |      |
| DESCRIPTION  | RX50 UNIT ASSY  |          |      |
| DRAWN BY   | EUA             |          |      |
| CHECKED BY   | RX50-0-DBU      |          |      |
| APPROVED BY  | E-UA-RX50-0-DBU |          |      |

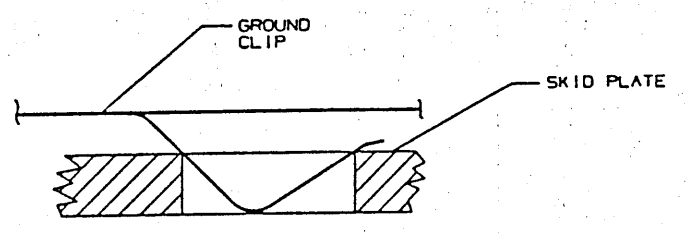
THIS DRAWING AND SPECIFICATIONS, HEREIN, ARE THE PROPERTY OF DIGITAL EQUIPMENT CORPORATION AND SHALL NOT BE REPRODUCED OR COPIED IN WHOLE OR IN PART AS THE BASIS FOR THE MANUFACTURE OF SUCH ITEMS WITHOUT WRITTEN PERMISSION. COPYRIGHT © 1982 DIGITAL EQUIPMENT CORPORATION

1 780-0-0542 1/73

J  
I  
H  
G  
F  
E  
D  
C  
B  
A



VIEW C-C  
LABEL PLACEMENT



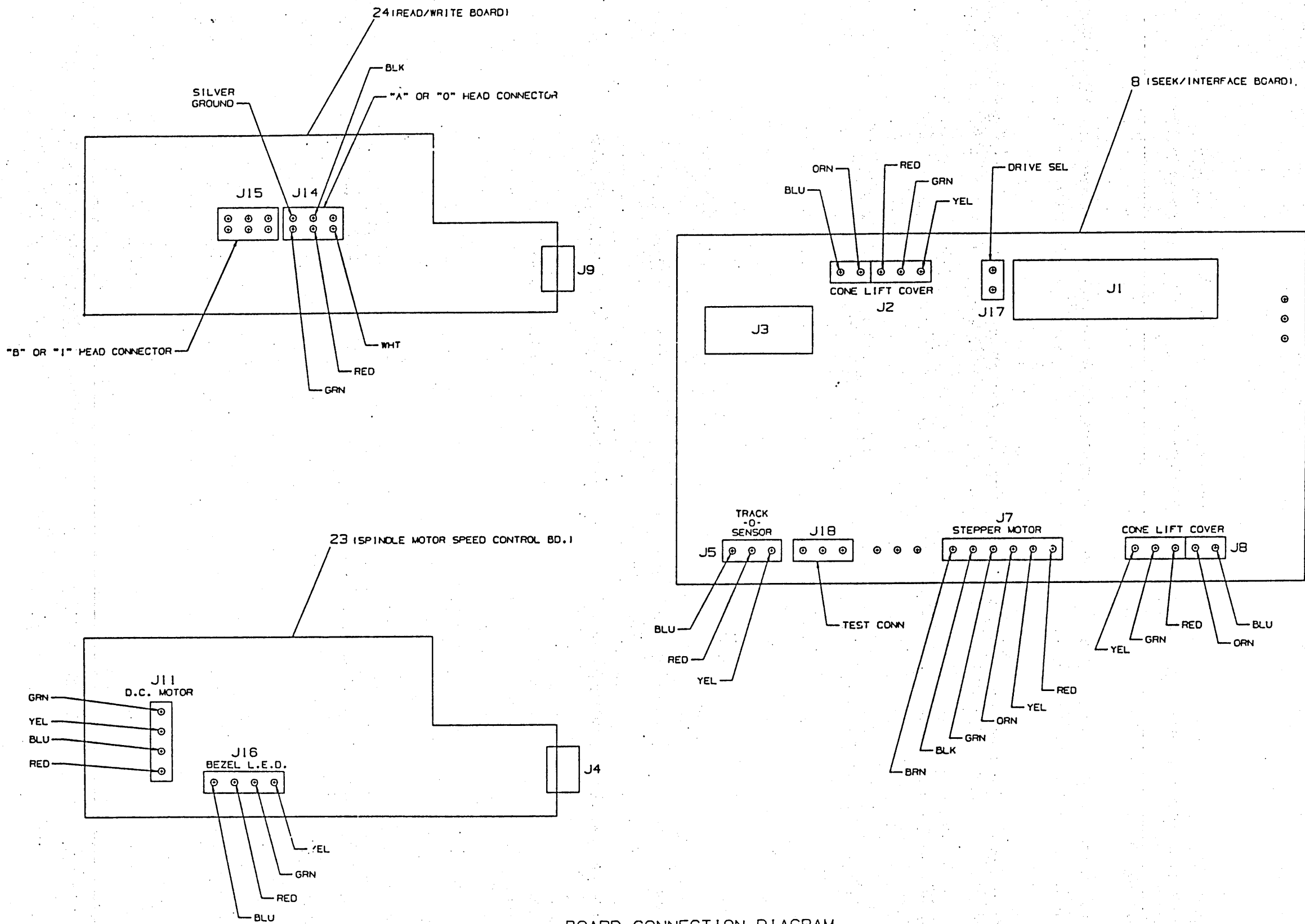
DETAIL OF HOW  
GROUND CLIP FITS  
INTO SKID PLATE

| REVISION HISTORY |             |
|------------------|-------------|
| DATE             | ECO HISTORY |
| SEE SHEET I      |             |

| TITLE |           | DOCUMENT NUMBER |            |
|-------|-----------|-----------------|------------|
| RX50  | UNIT ASSY | EUA             | RX50-0-DBU |
|       |           |                 |            |

J  
H  
G  
F  
E  
D  
C  
B  
A

\*THIS DRAWING AND SPECIFICATIONS, HEREIN, ARE THE PROPERTY OF DIGITAL EQUIPMENT CORPORATION AND SHALL NOT BE REPRODUCED OR COPIED IN WHOLE OR IN PART IN ANY MANNER FOR THE WHOLE OR PART OF ANY PROJECT WITHOUT WRITTEN PERMISSION. COPYRIGHT © 1982 DIGITAL EQUIPMENT CORPORATION



BOARD CONNECTION DIAGRAM

| REVISION HISTORY |             |    |
|------------------|-------------|----|
| DATE             | ECO HISTORY | BY |
|                  |             |    |

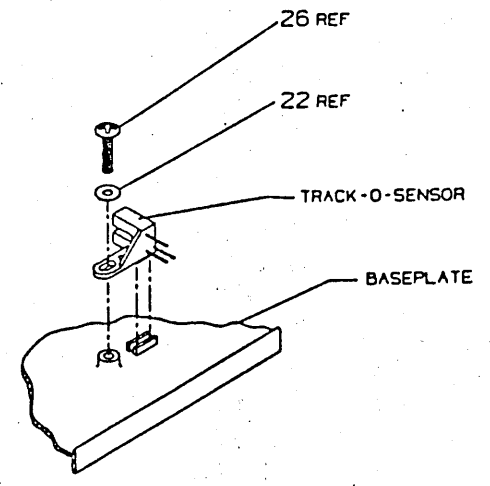
SEE SHEET 1

TITLE RX50 UNIT ASSY

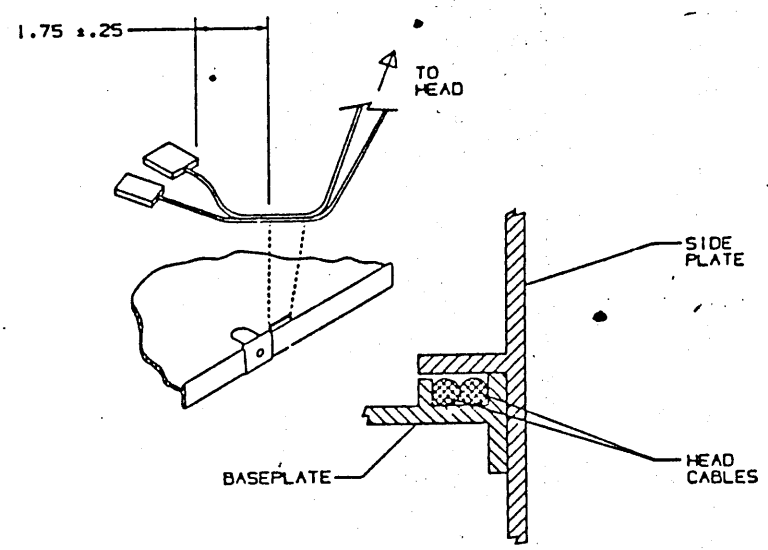
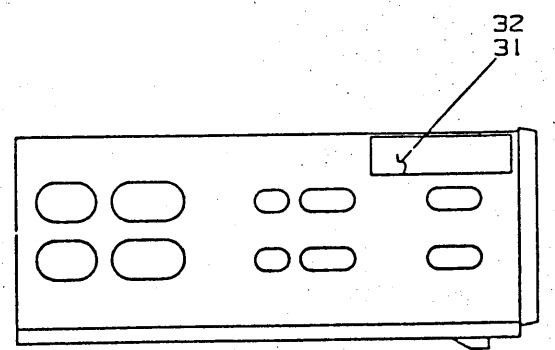
| DOCUMENT NUMBER |        |      |
|-----------------|--------|------|
| REV             | NUMBER | DATE |
|                 |        |      |
|                 |        |      |

THIS DRAWING AND SPECIFICATIONS, HEREINAFTER THE PROPERTY OF DIGITAL EQUIPMENT CORPORATION, AND SHALL NOT BE REPRODUCED OR COPIED OR USED IN WHOLE OR IN PART AS THE BASIS FOR THE MANUFACTURE OR SALE OF ITEMS WITHOUT WRITTEN PERMISSION. COPYRIGHT © 1982 DIGITAL EQUIPMENT CORPORATION

1100-0-0548 NR 13



MOUNTING POSITION FOR TRACK-O-SENSOR



HEAD CABLE STRAIN RELIEF

| REVISION HISTORY |              |
|------------------|--------------|
| DATE             | ECO. HISTORY |
| SEE SHEET 1      |              |

TITLE RX50 UNIT ASSY

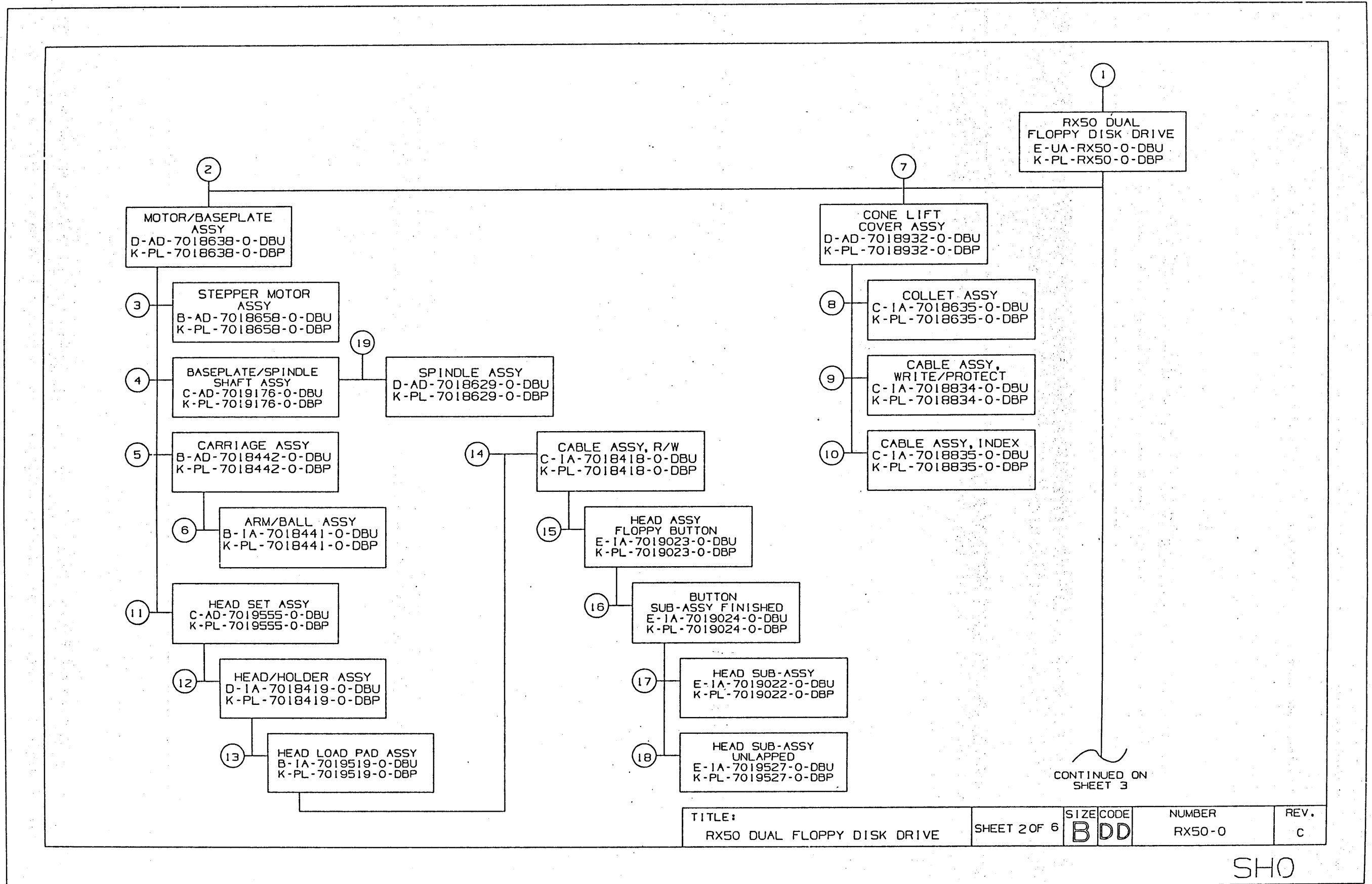
| DOCUMENT NUMBER |                  |
|-----------------|------------------|
| SYMBOL          | NUMBER           |
| EUA             | RX50-0-DBU F     |
| SCALE           | 1:1 SHEET 4 OF 4 |

| LINE | ITEM | TOP DOCUMENT       | PART NUMBER | MIN REV | DESCRIPTION                     | AA | A1 |
|------|------|--------------------|-------------|---------|---------------------------------|----|----|
| 1    | 1    | D-AD-7018638-0-DBU | 70-18638-00 |         | MOTOR/BASEPLATE ASSY.           | 1  |    |
| 2    | 2    | D-AD-7018932-0-DBU | 70-18932-04 |         | CONE LIFT COVER ASSY.           | 1  |    |
| 3    | 3    |                    | 74-26536-01 |         | *** THIS ITEM IS NOT USED ***   | -  |    |
| 4    | 4    | B-IA-7019118-0-DBU | 70-19118-00 |         | BEZEL ASSY.                     | 1  |    |
| 5    | 5    | E-MD-7425241-0-DBU | 74-25241-01 |         | SIDE,CARD GUIDE,(MACH.PART)     | 2  |    |
| 6    | 6    |                    | 54-15074-00 |         | *** THIS ITEM IS NOT USED ***   | -  |    |
| 7    | 7    |                    | 54-15111-00 |         | *** THIS ITEM IS NOT USED ***   | -  |    |
| 8    | 8    | D-UA-5415066-0-0   | 54-15066-00 |         | SEEK INTERFACE BOARD            | 1  |    |
| 9    | 9    | C-MD-7425234-0-DBU | 74-25234-00 |         | SPRING, RETURN CONE LIFT COVER  | 4  |    |
| 10   | 10   | B-IA-7018931-0-DBU | 70-18931-00 |         | CABLE ASSY, TRACK-O-SENSOR      | 1  |    |
| 11   | 11   |                    | 90-06021-01 |         | *** THIS ITEM IS NOT USED ***   | -  |    |
| 12   | 12   |                    | 90-08407-01 |         | *** THIS ITEM IS NOT USED ***   | -  |    |
| 13   | 13   |                    | 90-06021-02 |         | *** THIS ITEM IS NOT USED ***   | -  |    |
| 14   | 14   | D-MD-7425652-0-DBU | 74-25652-02 |         | PLATE,SKID                      | 1  |    |
| 15   | 15   | E-IA-7019918-0-DBU | 70-19918-01 |         | SHIELD ASSY. RX50 DRIVE         | 1  |    |
| 16   | 16   |                    | 90-06633-00 |         | *** THIS ITEM IS NOT USED ***   | -  |    |
| 17   | 17   | D-AD-7018932-0-DBU | 70-18932-05 |         | CONE LIFT COVER ASSY.           | 1  |    |
| 18   | 18   | B-AD-7019120-0-DBU | 70-19120-00 |         | *** THIS ITEM IS NOT USED ***   | -  |    |
| 19   | 19   |                    | 90-06024-02 |         | SCREW,MACH FLAT PHIL 6-32       | 2  |    |
| 20   | 20   |                    | 36-19833-01 |         | *** THIS ITEM IS NOT USED ***   | -  |    |
| 21   | 21   |                    | 90-09507-00 |         | *** THIS ITEM IS NOT USED ***   | -  |    |
| 22   | 22   |                    | 90-06656-00 |         | WASHER,FLAT STEEL               | 1  |    |
| 23   | 23   |                    | 70-19175-00 |         | MOTOR/PCB ASSY.                 | 1  |    |
| 24   | 24   |                    | 70-19177-00 |         | R/W PCB ASSY                    | 1  |    |
| 25   | 25   |                    | 90-06024-01 |         | SCREW,MACH PAN PHIL 6-32        | 4  |    |
| 26   | 26   |                    | 90-09708-00 |         | SCREW,THD RL,PAN PHIL F/METAL 6 | 5  |    |
| 27   | 27   |                    | 90-06020-02 |         | SCREW,MACH FLAT PHIL 6-32       | 6  |    |
| 28   | 28   |                    | 90-09882-00 |         | WASHER,LOCK INTERNAL SST        | 1  |    |
| 29   | 29   |                    | 90-08992-00 |         | WASHER,FLAT NYLON               | 2  |    |
| 30   | 30   |                    | 74-28201-02 |         | CLIP,GROUNDING                  | 1  |    |
| 31   | 31   |                    | 36-19833-04 |         | LABEL,BAR CODE S/N RX50-AA      | 1  |    |
| 32   | 32   |                    | 36-18460-10 |         | LABEL,BAR CODEE BLANK .38 X2.00 | 1  |    |

| REVISION HISTORY |            |     | KPL MATRIX FORMAT       |    | SECTION A OF A          |  | DRN: A. PINKARD                  |  | DIGITAL                          |      |                       |     |
|------------------|------------|-----|-------------------------|----|-------------------------|--|----------------------------------|--|----------------------------------|------|-----------------------|-----|
| ENG              | ECO NUMBER | REV | SECTION/VARIATION INDEX |    | DATE: 29-JUN-82         |  | CHK'D: M. CARMAN                 |  | TITLE PARTS LIST                 |      |                       |     |
| ---              | INITIAL    | A   | (A)                     | AA | DATE: 29-JUN-82         |  | DATE: 29-JUN-82                  |  | RX50 UNIT ASSY                   |      |                       |     |
| DW               | RX50-SH001 | B   | (B)                     |    | DES.ENG: D. WARREN      |  | DATE: 29-JUN-82                  |  | DOCUMENT NUMBER                  |      |                       |     |
| DW               | RX50-SH002 | C   | (C)                     |    | DATE: 29-JUN-82         |  | RESP.ENG.: M. CARMAN             |  | SIZE                             | CODE | NUMBER                | REV |
| DW               | RX50-SH003 | D   | (D)                     |    | DATE: 29-JUN-82         |  | DATE: 29-JUN-82                  |  | K                                | PL   | RX50-0-DBP            | F   |
| DP               | RX50-SH004 | E   | (E)                     |    | MFG.ENG: P. BARTON      |  | DATE: 29-JUN-82                  |  | RELEASE DATE: 24-FEB-86          |      |                       |     |
| DW               | RX50-SH007 | F   | (F)                     |    | DATE: 29-JUN-82         |  | DATE: 29-JUN-82                  |  | RELEASE STATUS: RELEASED         |      |                       |     |
|                  |            |     | (H)                     |    | BASIC PART NUMBER: RX50 |  | ASSEMBLY NUMBER: E-UA-RX50-0-DBU |  | TOP DOCUMENT NUMBER: B-DD-RX50-0 |      | FILE NAME: Z4621F.PLS |     |
|                  |            |     | (J)                     |    |                         |  |                                  |  |                                  |      | EDIT # 2              |     |

"THIS DRAWING AND THE SPECIFICATIONS CONTAINED HEREIN ARE CONFIDENTIAL AND PROPRIETARY. THEY ARE THE PROPERTY OF DIGITAL EQUIPMENT CORPORATION AND SHALL NOT BE REPRODUCED OR COPIED OR USED IN WHOLE OR IN PART AS THE BASIS FOR THE MANUFACTURE OR SALE OF ITEMS WITHOUT WRITTEN PERMISSION. THIS IS AN UNPUBLISHED WORK PROTECTED UNDER THE FEDERAL COPYRIGHT LAWS."





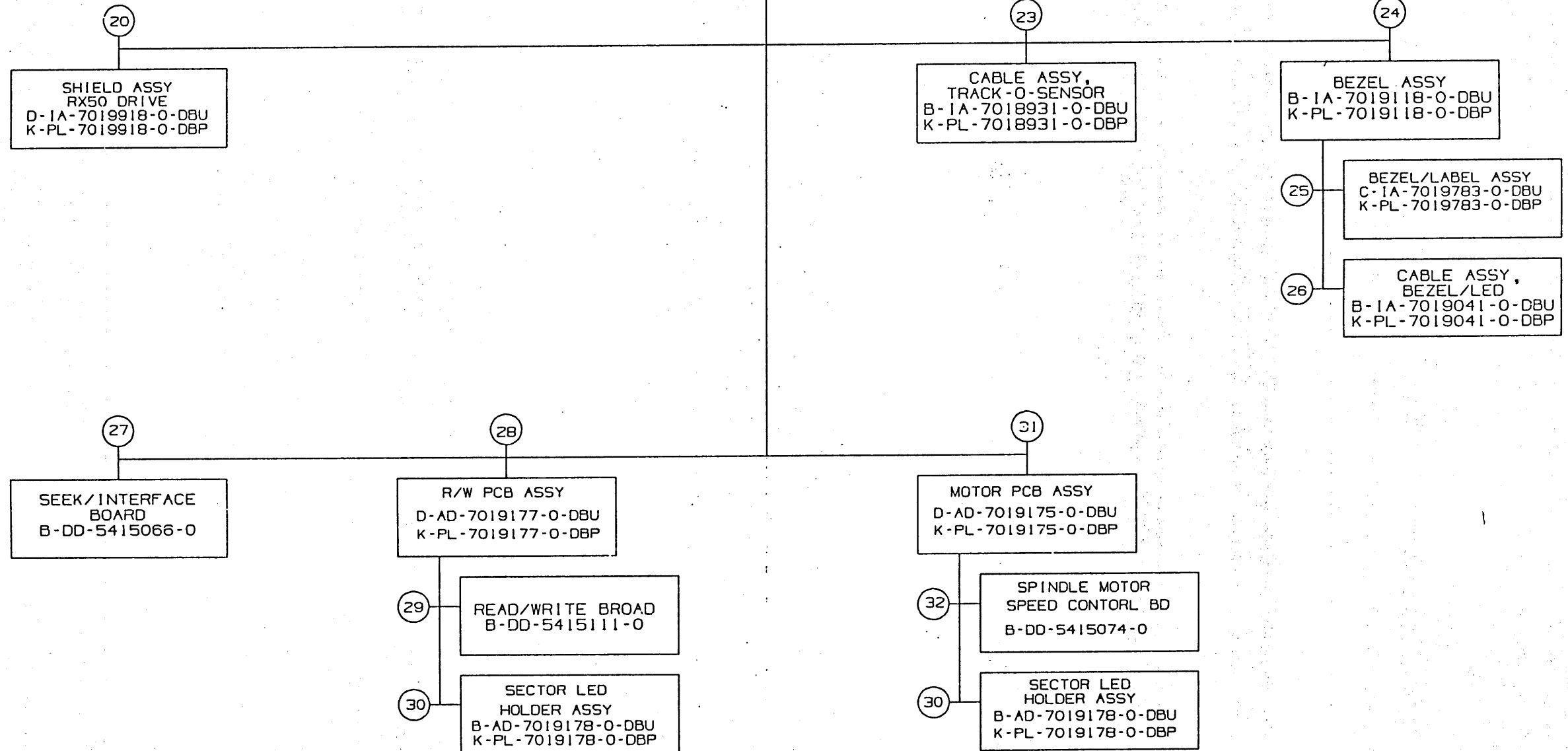
CONTINUED ON SHEET 3

|                                       |              |                   |                  |           |
|---------------------------------------|--------------|-------------------|------------------|-----------|
| TITLE:<br>RX50 DUAL FLOPPY DISK DRIVE | SHEET 2 OF 6 | SIZE CODE<br>B DD | NUMBER<br>RX50-0 | REV.<br>C |
|---------------------------------------|--------------|-------------------|------------------|-----------|

SHO



CONTINUED FROM  
SHEET 2



|                                       |              |                  |                  |           |
|---------------------------------------|--------------|------------------|------------------|-----------|
| TITLE:<br>RX50 DUAL FLOPPY DISK DRIVE | SHEET 3 OF 6 | SIZE CODE<br>BDD | NUMBER<br>RX50-0 | REV.<br>C |
|---------------------------------------|--------------|------------------|------------------|-----------|

SHO



| FIND NO. | DRAWING NO.        | DESCRIPTION                  | TYPE | FIND NO. | DRAWING NO.        | DESCRIPTION                   | TYPE |
|----------|--------------------|------------------------------|------|----------|--------------------|-------------------------------|------|
|          |                    |                              |      |          | C-MD-7426342-0-DBU | SHIELD, RX50 INNER            | M    |
|          |                    |                              |      |          | B-MD-7426343-0-DBU | PIN, TERMINATION              | M    |
|          |                    |                              |      |          | C-MD-7426997-0-DBU | BAR, ERASE BUTT (FLOPPY HEAD) | M    |
| 10       | C-1A-7018835-0-DBU | CABLE ASSY, INDEX            | E    |          |                    |                               |      |
|          | K-PL-7018835-0-DBP | CABLE ASSY, INDEX (PL)       | E    |          |                    |                               |      |
|          | B-MD-7425235-0-DBU | HOLDER, SECTOR SENSOR        | M    |          |                    |                               |      |
|          |                    |                              |      | 16       | E-1A-7019024-0-DBU | BUTTON SUB-ASSY FINISHED      | M    |
|          |                    |                              |      |          | K-PL-7019024-0-DBP | BUTTON SUB-ASSY FINISHED (PL) | M    |
|          |                    |                              |      |          | E-MD-7426349-0-DBU | BUTTON, PLASTIC FLOPPY        | M    |
| 11       | C-AD-7019555-0-DBU | HEAD SET ASSY, RX50          | M    |          |                    |                               |      |
|          | K-PL-7019555-0-DBP | HEAD SET ASSY, RX50 (PL)     | M    |          |                    |                               |      |
|          | C-MC-7426707-0-CBU | STRAIN RELIEF                | M    |          |                    |                               |      |
|          | I220021-0-0        | RAT TAIL                     | M    |          |                    |                               |      |
|          |                    |                              |      | 17       | E-1A-7019022-0-DBU | HEAD SUB-ASSY                 | M    |
|          |                    |                              |      |          | K-PL-7019022-0-DBP | HEAD SUB-ASSY (PL)            | M    |
|          |                    |                              |      |          | E-MD-7426347-0-DBU | CORE ASSY R/W                 | M    |
|          |                    |                              |      |          | E-MD-7426348-0-DBU | CORE ASSY ERASE               | M    |
|          |                    |                              |      |          | C-MD-7426346-0-DBU | SLIDER                        | M    |
| 12       | D-1A-7018419-0-DBU | HEAD/HOLDER ASSY             | E/M  |          |                    |                               |      |
|          | K-PL-7018419-0-DBP | HEAD/HOLDER ASSY (PL)        | E/M  |          |                    |                               |      |
|          | D-MD-7425219-0-DBU | HOLDER, HEAD                 | M    |          |                    |                               |      |
|          | D-MD-7425220-0-DBU | ARM HEAD LOAD                | M    |          |                    |                               |      |
|          | B-MD-7425222-0-DBU | SHAFT, LOAD ARM              | M    |          |                    |                               |      |
|          | D-MD-7425381-0-DBU | SPRING, TORSION              | M    |          |                    |                               |      |
|          | C-MD-7426979-0-DBU | SHIELD, HEAD, RX50           | M    | 18       | E-1A-7019527-0-DBU | HEAD SUB-ASSY UNLAPPED        | M    |
|          |                    |                              |      |          | K-PL-7019527-0-DBP | HEAD SUB-ASSY UNLAPPED (PL)   | M    |
|          |                    |                              |      |          | E-MD-7426347-0-DBU | CORE ASSY R/W                 | M    |
|          |                    |                              |      |          | E-MD-7426348-0-DBU | CORE ASSY ERASE               | M    |
|          |                    |                              |      |          | C-MD-7426346-0-DBU | SLIDER                        | M    |
| 13       | B-1A-7019519-0-DBU | HEAD LOAD PAD ASSY           | M    |          |                    |                               |      |
|          | K-PL-7019519-0-DBP | HEAD LOAD PAD ASSY (PL)      | M    |          |                    |                               |      |
|          | B-MD-7425245-0-DBU | PAD, HEAD LOAD               | M    |          |                    |                               |      |
|          | B-MD-7425221-0-DBU | HOLDER, HEAD LOAD PAD        | M    |          |                    |                               |      |
|          |                    |                              |      | 19       | D-AD-7018629-0-DBU | SPINDLE ASSY                  | M    |
|          |                    |                              |      |          | K-PL-7018629-0-DBP | SPINDLE ASSY (PL)             | M    |
|          |                    |                              |      |          | E-MD-7425215-0-DBU | SPINDLE                       | M    |
|          |                    |                              |      |          | B-MD-7425249-0-DBU | SPACER, SPINDLE               | M    |
|          |                    |                              |      |          |                    |                               |      |
| 14       | C-1A-7018418-0-DBU | CABLE ASSY, R/W              | E    |          |                    |                               |      |
|          | K-PL-7018418-0-DBP | CABLE ASSY, R/W (PL)         | E    |          |                    |                               |      |
|          |                    |                              |      |          |                    |                               |      |
|          |                    |                              |      | 20       | E-1A-7019918-0-DBU | SHIELD ASSY RX50 DRIVE        | M    |
|          |                    |                              |      |          | K-PL-7019918-0-DBP | SHIELD ASSY RX50 DRIVE (PL)   | M    |
|          |                    |                              |      |          | E-MD-7427207-0-DBU | SHIELD, RX50 DRIVE            | M    |
| 15       | E-1A-7019023-0-DBU | HEAD ASSY FLOPPY BUTTON      | E/M  |          |                    |                               |      |
|          | K-PL-7019023-0-DBP | HEAD ASSY FLOPPY BUTTON (PL) | E/M  |          |                    |                               |      |
|          | C-MD-7426344-0-DBU | SPRING BUTT BAR              | M    |          |                    |                               |      |
|          | C-MD-7426345-0-DBU | BAR R/W BUTT (FLOPPY HEAD)   | M    |          |                    |                               |      |

TYPE: E ELECTRICAL  
M MECHANICAL  
E/M ELECTRO/MECHANICAL

digital

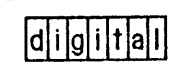
TITLE: RX50 DUAL FLOPPY DISK DRIVE SHEET 50F 6  
SIZE CODE BDD NUMBER RX50-0 REV. C

DRB 108A

SHO

| FIND NO. | DRAWING NO.  | DESCRIPTION   | TYPE        | FIND NO. | DRAWING NO.  | DESCRIPTION   | TYPE            |
|----------|--|---|-------------|----------|--|---|-----------------|
|          |  |   |             | 29       | B-DD-5415111-0   | READ/WRITE BOARD  | E/M             |
|          |  |   |             | 30       | B-AD-7019178-0-DBU<br>K-PL-7019178-0-DBP<br>D-MD-7425831-0-DBU | SECTOR LED HOLDER ASSY<br>SECTOR LED HOLDER ASSY (PL)<br>HOLDER, L.E.D. | E/M<br>E/M<br>M |
| 23       | B-1A-7018931-0-DBU<br>K-PL-7018931-0-DBP                       | CABLE ASSY, TRACK-0-SENSOR<br>CABLE ASSY, TRACK-0-SENSOR (PL) | E<br>E      | 31       | D-AD-7019175-0-DBU<br>K-PL-7019175-0-DBU                       | MOTOR PCB ASSY<br>MOTOR PCB ASSY (PL)                                   | E/M<br>E/M      |
| 24       | B-1A-7019118-0-DBU<br>K-PL-7019118-0-DBP                       | BEZEL ASSY<br>BEZEL ASSY (PL)                                 | M<br>M<br>M | 32       | B-DD-5415074-0   | SPINDLE MOTOR SPEED CONTROL BOARD                                       | E/M             |
| 25       | C-1A-7019783-0-DBU<br>K-PL-7019783-0-DBP<br>D-MD-7425242-0-DBU | BEZEL/LABEL ASSY<br>BEZEL/LABEL ASSY (PL)<br>BEZEL FRONT      | M<br>M<br>M |          |  |   |                 |
| 26       | B-1A-7019041-0-DBU<br>K-PL-7019041-0-DBP                       | CABLE ASSY BEZEL LED<br>CABLE ASSY BEZEL LED (PL)             | E<br>E      |          |  |   |                 |
| 27       | B-DD-5415066-0   | SEEK/INTERFACE BOARD  | E/M         |          |  |   |                 |
| 28       | D-AD-7019177-0-DBU<br>K-PL-7019177-0-DBP                       | R/W PCB ASSY<br>R/W PCB ASSY (PL)                             | E/M<br>E/M  |          |  |   |                 |

TYPE: E ELECTRICAL  
M MECHANICAL  
E/M ELECTRO/MECHANICAL



TITLE: RX50 DUAL FLOPPY DISK DRIVE

SHEET 6 OF 6

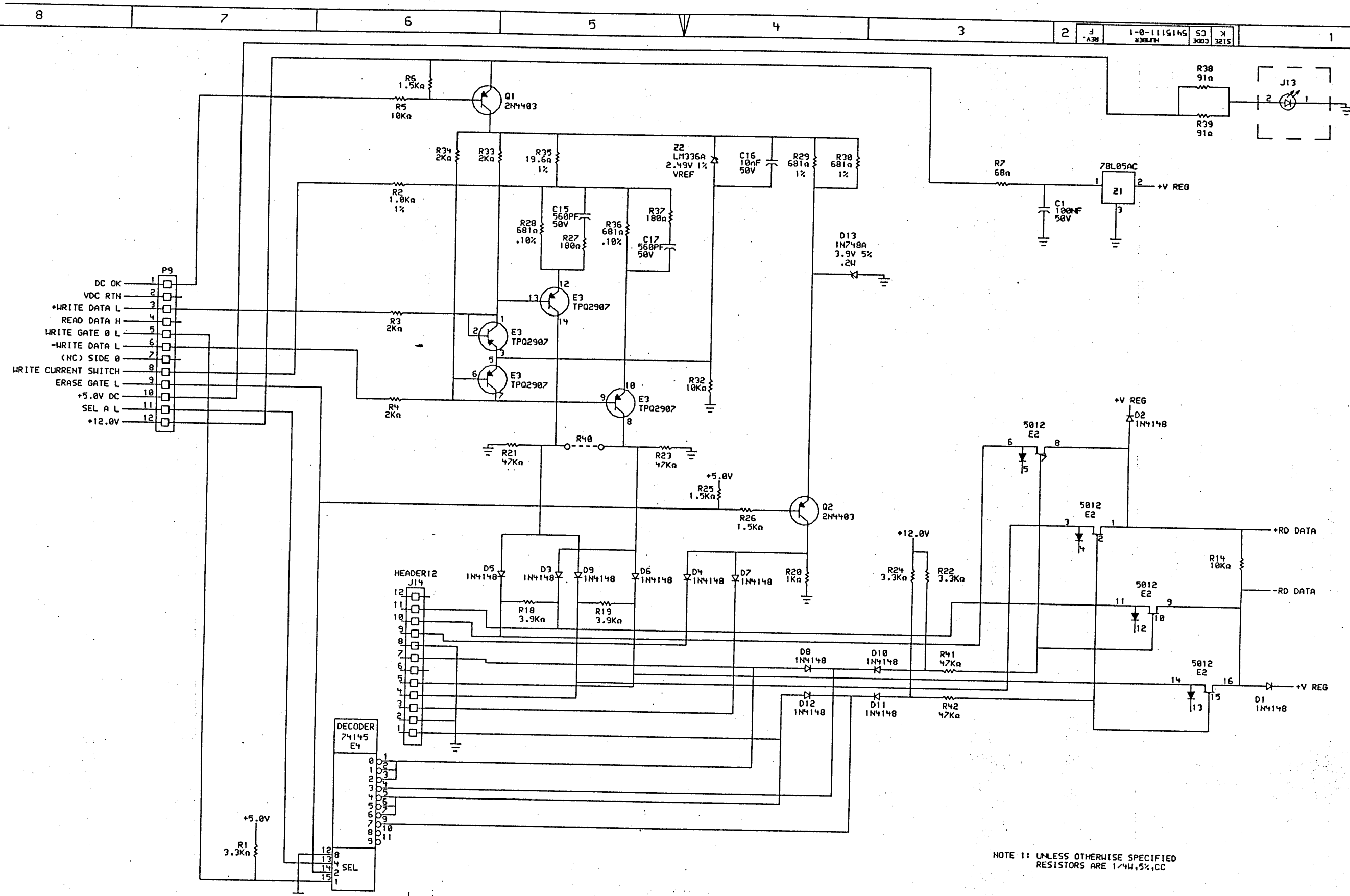
SIZE CODE  
B DD

NUMBER  
RX50-0

REV.  
C



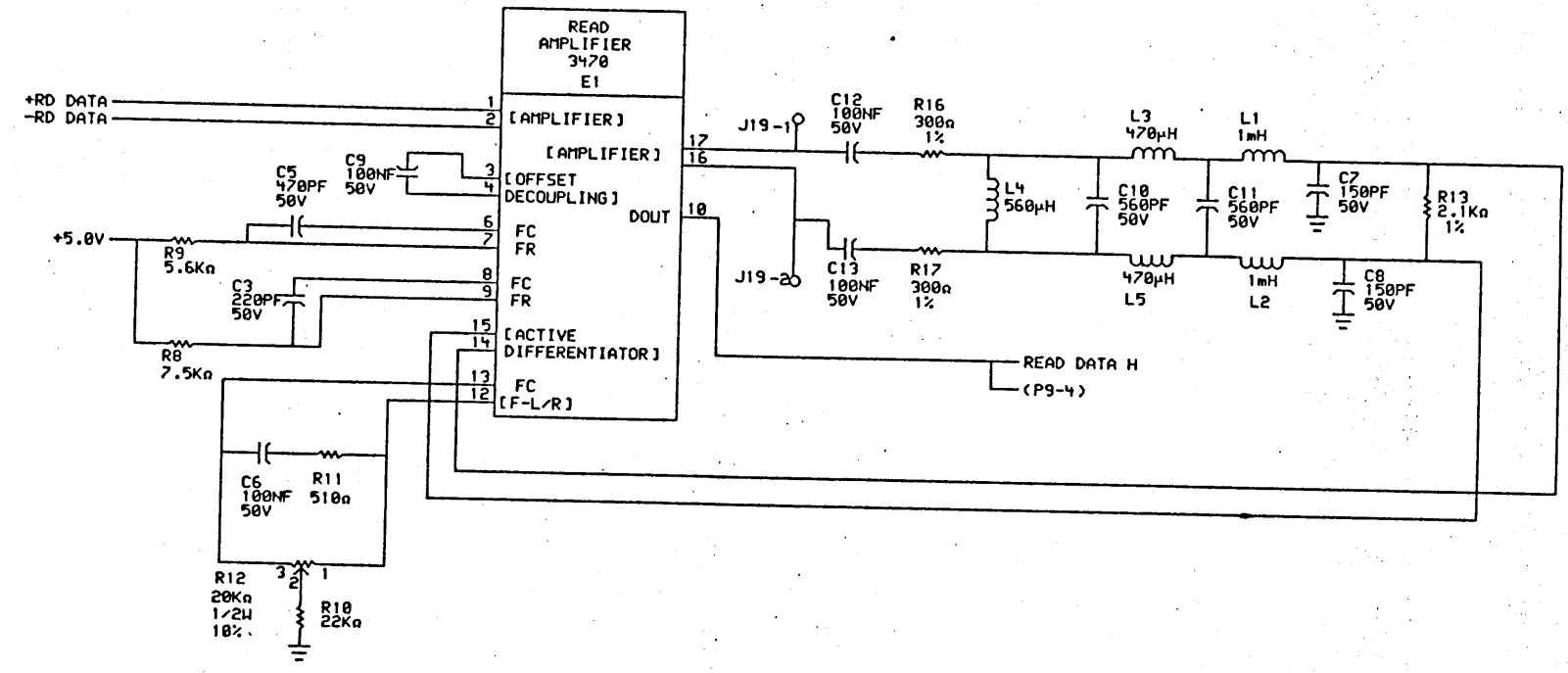
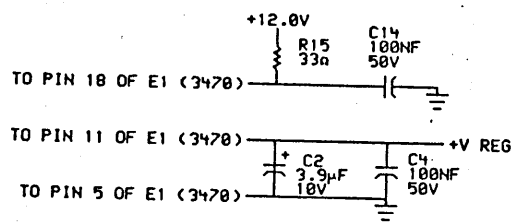




THIS DRAWING AND SPECIFICATIONS ARE THE PROPERTY OF DIGITAL EQUIPMENT CORPORATION AND SHALL NOT BE REPRODUCED OR COPIED OR USED IN WHOLE OR IN PART AS THE BASIS FOR THE MANUFACTURE OR SALE OF ITEMS WITHOUT WRITTEN PERMISSION. COPYRIGHT © 1982, DIGITAL EQUIPMENT CORPORATION.

| REVISIONS |            |     |
|-----------|------------|-----|
| CHK       | CHANGE NO. | REV |
|           |            |     |

|                               |     |                 |                       |           |                 |           |      |           |               |      |
|-------------------------------|-----|-----------------|-----------------------|-----------|-----------------|-----------|------|-----------|---------------|------|
| digital                       | DRW | E. R. AUBREY    | DATE                  | 31-AUG-82 | ENG             | G. PAQUIN | DATE | 31-AUG-82 | TITLE:        | RX50 |
|                               | CHK | P. BOSSMAN      | DATE                  | 31-AUG-82 | BOARD LOCATION: |           |      |           | READ/WRITE BD |      |
| PA: <RX50-LIB> 5415111.FI.DRW |     | 30-AUG-82 10:51 | NEXT HIGHER ASSEMBLY: |           | B-DD-5415111-0  |           | SIZE | CODE      | NUMBER        | REV. |
| FIRST USED ON OPTION/MODEL:   |     | RX50            |                       |           |                 |           | K    | CS        | 5415111-0-1   | F    |



THIS DRAWING AND SPECIFICATIONS HEREIN ARE THE PROPERTY OF DIGITAL EQUIPMENT CORPORATION AND SHALL NOT BE REPRODUCED OR COPIED OR USED IN WHOLE OR IN PART AS THE BASIS FOR THE MANUFACTURE OR SALE OF ITEMS WITHOUT WRITTEN PERMISSION. COPYRIGHT © 1982, DIGITAL EQUIPMENT CORPORATION.

| REVISIONS |                 |
|-----------|-----------------|
| CHK       | CHANGE NO. REV. |
|           |                 |

**digital** DRN: E. R. AUBREY DATE: 31-AUG-82 ENG: G. PAQUIN DATE: 31-AUG-82 TITLE: RX50 READ/WRITE BD

CHK: E. BOSSMAN DATE: 31-AUG-82 BOARD LOCATION: PA: (RX50-LIB) 5415111F2.DRW 30-AUG-82 10:58 NEXT HIGHER ASSEMBLY: B-DD-5415111-0

FIRST USED ON OPTION/MODEL: RX50

|           |             |      |
|-----------|-------------|------|
| SIZE CODE | NUMBER      | REV. |
| K CS      | 5415111-0-1 | F    |

SHO 1

REV. F  
 NUMBER 5415111-0-1  
 SIZE CODE K CS  
 B



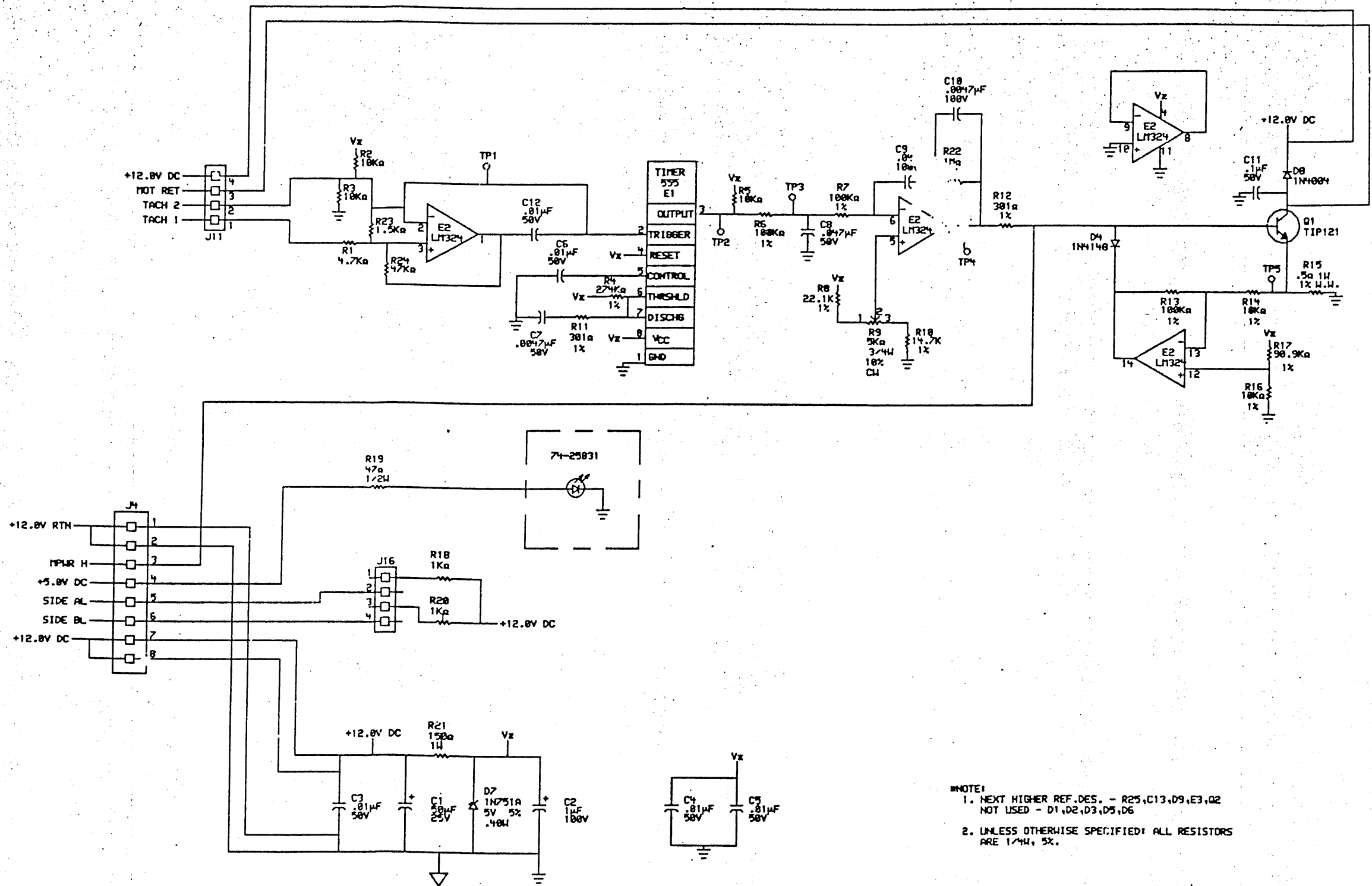
8 7 6 5 4 3 2 1

D

C

B

P



NOTE:  
 1. NEXT HIGHER REF. DES. - R25, C13, D9, E3, Q2  
 NOT USED - D1, D2, D3, D5, D6  
 2. UNLESS OTHERWISE SPECIFIED, ALL RESISTORS  
 ARE 1/4W, 5%.

|                             |          |                   |                       |           |                                |
|-----------------------------|----------|-------------------|-----------------------|-----------|--------------------------------|
| DRN.                        | DATE     | ENG.              | DATE                  | TITLE:    | SPINDLE MOTOR<br>SPEED CONTROL |
| CHK'D.                      | DATE     | BOARD LOCATION:   | DATE                  | REV.      |                                |
| SIZE:                       | 8x50.0x4 | 105-1148-05 13:53 | NEXT HIGHER ASSEMBLY: | SIZE CODE | NUMBER                         |
| FIRST USED ON OPTION/MODEL: | RX50     | B-DD-5415074-0    |                       | K CS      | 5415074-0-1                    |

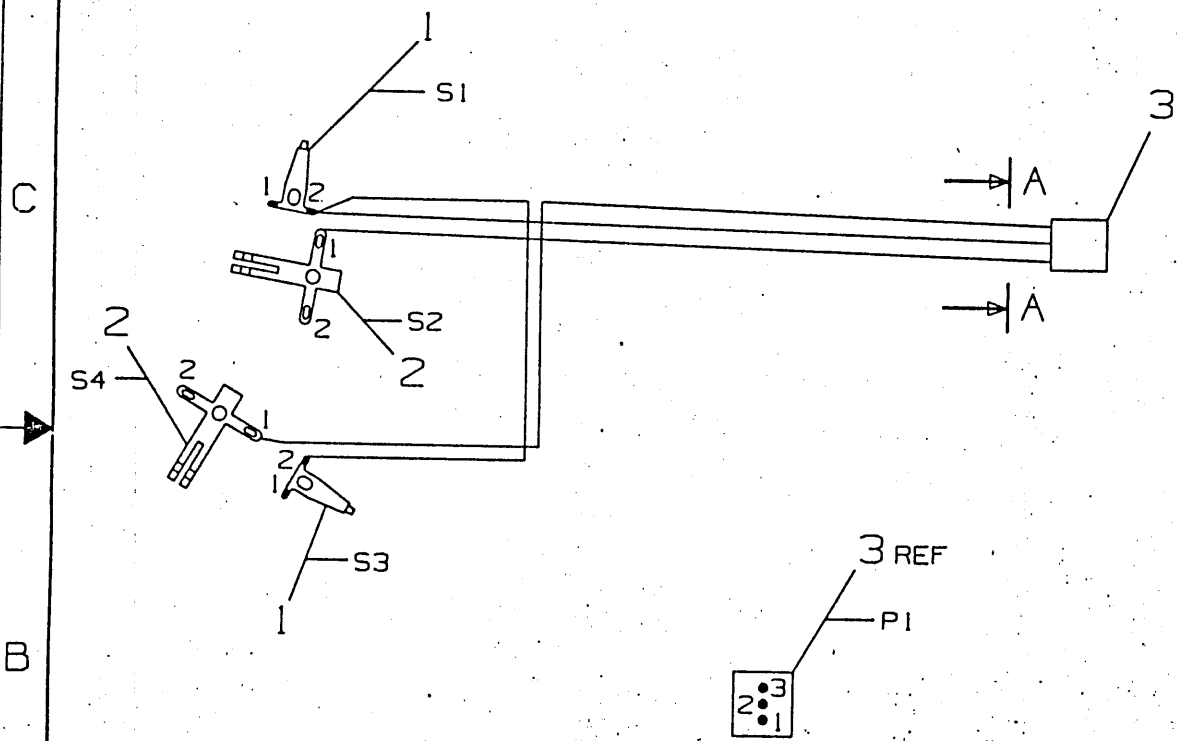
8 7 6 5 4 3 2 1

"THIS DRAWING AND SPECIFICATIONS, HEREIN, ARE THE PROPERTY OF DIGITAL EQUIPMENT CORPORATION AND SHALL NOT BE REPRODUCED OR COPIED OR USED IN WHOLE OR IN PART AS THE BASIS FOR THE MANUFACTURE OR SALE OF ITEMS WITHOUT WRITTEN PERMISSION.  
COPYRIGHT © 1982 DIGITAL EQUIPMENT CORPORATION"

### WIRE TABLE

| ITEM NO. | DESCRIPTION |       | FROM |      | TO   |      | PRECUT LENGTH |
|----------|-------------|-------|------|------|------|------|---------------|
|          | AWG         | COLOR | CONN | WITH | CONN | WITH |               |
| 6        | 26          | YEL   | P1-1 | ---  | S2-1 | SLDR | 7.38 ±.12     |
| 5        | 26          | GRN   | P1-2 | ---  | S1-2 | SLDR | 7.38 ±.12     |
| 4        | 26          | RED   | P1-3 | ---  | S4-1 | SLDR | 10.00 ±.12    |
| 5        | 26          | GRN   | S1-2 | SLDR | S3-2 | SLDR | 7.70 ±.12     |

NOTES:



VIEW "A-A"

| LEGEND     |     |           |
|------------|-----|-----------|
| PART NO.   | REV | VARIATION |
| 7018834-00 | A1  | AS SHOWN  |

LAYER 2 : FORMAT LAYER  
LAYER 1 : WORK LAYER  
PLOT AT : 1.00

CAUTION: OFF-SHEET PARTS LIST EXISTS  
SEE K-PL-7018834-0-DBP

| REV. | CHG. NO. | INITIAL |
|------|----------|---------|
| 1    |          | MC      |

FIRST HIGHER ASS'Y  
D-AD-7018932-0-DBU

|  |                 |                            |                           |                 |                           |                  |                   |                   |
|--|-----------------|----------------------------|---------------------------|-----------------|---------------------------|------------------|-------------------|-------------------|
| DESCRIPTION  | DRAWING NO.     | PART NO.                   | ITEM NO.                  |                 |                           |                  |                   |                   |
| UNLESS OTHERWISE SPECIFIED DIMENSIONS ARE IN INCHES AND THE FOLLOWING TOLERANCES APPLY (PER DEC STD 114) |                 |                            |                           |                 |                           |                  |                   |                   |
| INCHES TOLERANCES  | ANGLES ±0° 30'  | APPLICABLE DIMENSION RANGE | DIMENSION RANGE IN INCHES |                 |                           |                  |                   |                   |
|  |                 |                            | OVER 0 TO 0.2             | OVER 0.2 TO 1.2 | OVER 1.2 TO 4.0           | OVER 4.0 TO 12.0 | OVER 12.0 TO 40.0 | OVER 40.0 TO 80.0 |
| .XX ±.1<br>.XXX ±.02<br>.XXX ±.005   | SURFACE QUALITY | (CHECK ONE)                | ±.02                      | ±.03            | ±.05                      | ±.10             |                   |                   |
|  | MICROINCHES     |                            | ±.004                     | ±.008           | ±.012                     | ±.016            | ±.024             | ±.04              |
| THIRD ANGLE PROJECTION   | DRN             | A. PINKARD                 | DATE                      | 9 MAR 81        | TITLE                     |                  | digital           |                   |
| DO NOT SCALE DRAWING   | CHK'D           | M. CARMAN                  | DATE                      | 12 MAR 82       | CABLE ASSY, WRITE/PROTECT |                  | A                 |                   |
| REMOVE BURRS AND BREAK SHARP CORNERS   | DES. ENG.       | D. WARREN                  | DATE                      | 12 MAR 82       | DOCUMENT NUMBER           |                  |                   |                   |
| MATERIAL   | RESP. ENG.      | M. CARMAN                  | DATE                      | 12 MAR 82       | SIZE                      | CODE             | NUMBER            |                   |
| SEE PARTS LIST   | MFG. ENG.       | G. AIKEY                   | DATE                      | 12 MAR 82       | C                         | IA               | 7018834-0-DBU     |                   |
| FINISH   | TOP DOC.        |                            |                           |                 | SCALE                     | NONE             | SHEET 1 OF 1      |                   |
|  |                 |                            |                           |                 |                           |                  | ML1               |                   |

"THIS DRAWING AND SPECIFICATIONS, HEREIN, ARE THE PROPERTY OF DIGITAL EQUIPMENT CORPORATION AND SHALL NOT BE REPRODUCED OR COPIED OR USED IN WHOLE OR IN PART AS THE BASIS FOR THE MANUFACTURE OR SALE OF ITEMS WITHOUT WRITTEN PERMISSION. COPYRIGHT © 1982 DIGITAL EQUIPMENT CORPORATION"

LEGEND

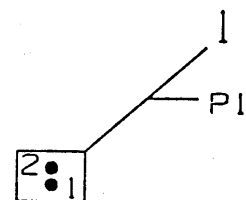
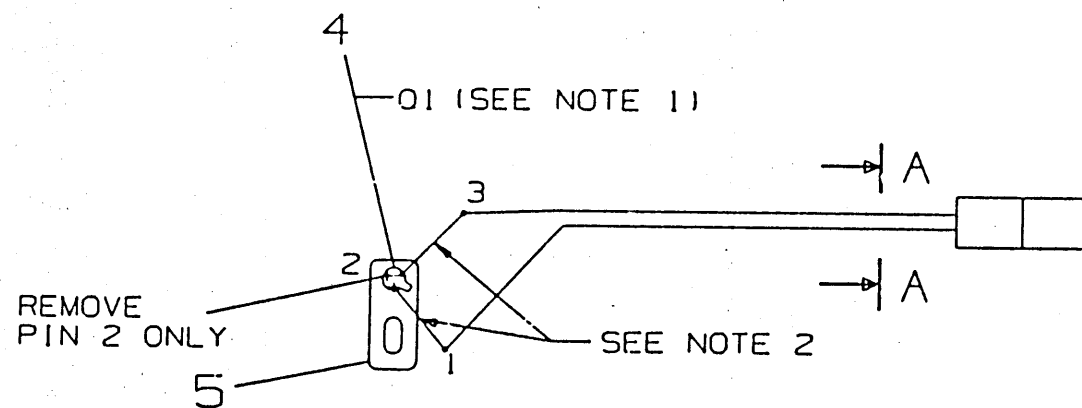
| PART NO.   | REV | VARIATION |
|------------|-----|-----------|
| 7018835-00 | A3  | AS SHOWN  |

NOTES:

- ORIENT 01 AS SHOWN.
- ADD ITEM 7 (SHRINK TUBING), 2 PLACES. (1/2 INCH LONG EACH WIRE) NO BARE WIRE TO BE EXPOSED +.0634 INCHES FROM BASE OF SENSOR.

WIRE TABLE

| ITEM NO. | DESCRIPTION |       | FROM |      | TO   |      | PRECUT LENGTH |
|----------|-------------|-------|------|------|------|------|---------------|
|          | AWG         | COLOR | CONN | WITH | CONN | WITH |               |
| 2        | 26          | ORN   | PI-1 | ---  | 01-1 | SLDR | 6.00 ±.12     |
| 3        | 26          | BLU   | PI-2 | ---  | 01-3 | SLDR | 6.00 ±.12     |



VIEW "A-A"

CAUTION: OFF-SHEET PARTS LIST EXISTS  
SEE K-PL-7018835-0-DBP

| REVISIONS |                    | REV. |  |
|-----------|--------------------|------|--|
| CHK       | CHANGE NO.         |      |  |
|           | INITIAL            | A    |  |
|           | 7018835-SH001      | B    |  |
|           | G. DRAYTON 6/16/83 |      |  |
|           | DALE WILLIAMS      |      |  |
|           | 7018835-SH002      | C    |  |
|           | T. MANN 5/22/85    |      |  |
|           | DALE WILLIAMS      |      |  |

FIRST HIGHER ASS'Y  
D-AD-7018932-0-DBU

|  |                                |                            |  |
|--|--------------------------------|----------------------------|--|
| DESCRIPTION  | DRAWING NO.                    | PART NO.                   | ITEM NO.                               |
| UNLESS OTHERWISE SPECIFIED DIMENSIONS ARE IN INCHES AND THE FOLLOWING TOLERANCES APPLY (PER DEC STD 114) |                                |                            |  |
| INCHES TOLERANCES<br>X: ±.1<br>XX: ±.02<br>XXX: ±.005  | ANGLES<br>±0° 30'              | APPLICABLE DIMENSION RANGE |  |
|  |                                | MICROINCHES                |  |
| SURFACE QUALITY<br>✓   | DIMENSION RANGE IN INCHES      |                            |  |
|  | OVER TO                        | OVER TO                    | OVER TO                                |
| 0.2 TO 0.2   | 0.2 TO 1.2                     | 1.2 TO 4.0                 | 4.0 TO 12.0                            |
| ±.004  | ±.008                          | ±.012                      | ±.018                                  |
|  |                                | ±.024                      | ±.04                                   |
| THIRD ANGLE PROJECTION<br>⊕  | DRN<br>A. PINKARD              | DATE<br>6 MAR 81           | TITLE<br>digital                       |
| DO NOT SCALE DRAWING   | CHK'D<br>R. PUDELKO            | DATE<br>12 MAR 82          | CABLE ASSY,<br>INDEX                   |
| REMOVE BURRS AND<br>BREAK SHARP CORNERS  | DES. ENG.<br>D. WARREN         | DATE<br>12 MAR 82          |  |
| MATERIAL<br>SEE PARTS LIST   | RESP. ENG.<br>M. CARMAN        | DATE<br>12 MAR 82          | DOCUMENT NUMBER                        |
| FINISH<br>+ / +  | MFG. ENG.<br>G. AIKEY          | DATE<br>12 MAR 82          | SIZE CODE NUMBER<br>C IA 7018835-0-DBU |
|  | TOP DOC.<br>C-1A-7018835-0-DBU |                            | REV.<br>C                              |
|  |                                | SCALE<br>NONE              | SHEET 1 OF 1                           |

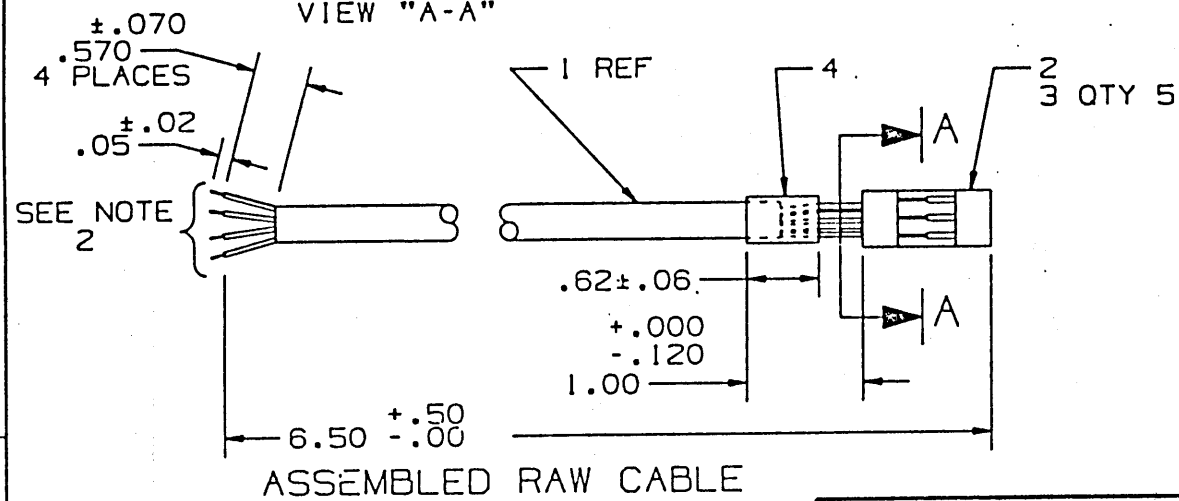
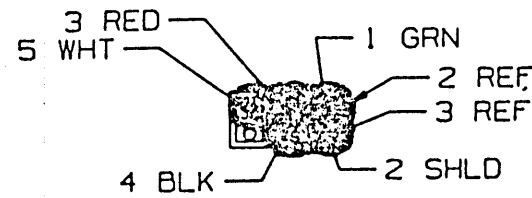
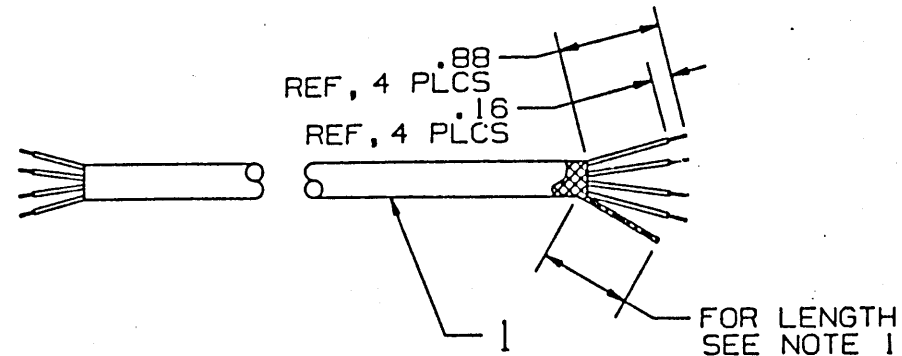
REV. C  
C IA 7018835-0-DBU  
C  
A

"THIS DRAWING AND SPECIFICATIONS HEREIN, ARE THE PROPERTY OF DIGITAL EQUIPMENT CORPORATION AND SHALL NOT BE REPRODUCED OR COPIED OR USED IN WHOLE OR IN PART AS THE BASIS FOR THE MANUFACTURE OR SALE OF ITEMS WITHOUT WRITTEN PERMISSION. COPYRIGHT © 1982 DIGITAL EQUIPMENT CORPORATION"

| LEGEND     |     |           |
|------------|-----|-----------|
| PART NO.   | REV | VARIATION |
| 7018418-00 | A3  | AS SHOWN  |

NOTES:

- SHIELD IS USED AS STRAIN RELIEF. WHEN CRIMP SOCKETS (ITEM 3) ARE INSERTED INTO CONNECTOR (ITEM 2), ALL WIRES EXCEPT SHIELD SHALL BE SLACK.
- CONDUCTORS TO BE TWISTED AND TINNED USING LOW TEMPERATURE NONE RESIN SOLDER FOR A LENGTH OF .03 MIN. .03 WILL BE MEASURED FROM END OF CONDUCTOR.



LAYER 2 : FORMAT LAYER  
 LAYER 1 : WORK LAYER  
 PLOT AT : 1.00  
 CAUTION: OFF-SHEET PARTS LIST EXISTS  
 SEE K-PL-7018418-0-DBP

| REV. | CHANGE NO.    | INITIAL         | DATE    |
|------|---------------|-----------------|---------|
| A    |               |                 |         |
| B    | 7019555-ML001 | C.W. FIELDS     | 2/2/83  |
| C    | 7018418-SH001 | RALPH BERTHAUME |         |
|      |               | G. DRAYTON      | 7/15/83 |
|      |               | DALE WILLIAMS   |         |

FIRST HIGHER ASS'Y  
 C-1A-7018708-0-DBU

| DESCRIPTION  | DRAWING NO.    | PART NO.                    | ITEM NO.       |
|--|----------------|-----------------------------|----------------|
| UNLESS OTHERWISE SPECIFIED DIMENSIONS ARE IN INCHES AND THE FOLLOWING TOLERANCES APPLY (PER DEC STD 114) |                |                             |                |
| INCHES TOLERANCES  | ANGLES ±0° 30' | APPLICABLE DIMENSION RANGE  |                |
|  |                | CHECK ONE                   |                |
| SURFACE QUALITY  | MICROINCHES    | OVER 0 TO 0.2               | ±.02           |
|  |                | OVER 0.2 TO 1.2             | ±.03           |
|  |                | OVER 1.2 TO 12.0            | ±.05           |
| DIMENSION RANGE IN INCHES  |                | OVER 12.0 TO 40.0           | ±.10           |
|  |                | OVER 40.0 TO 80.0           | ±.10           |
|  |                | ±.004                       | ±.008          |
|  |                | ±.012                       | ±.018          |
|  |                | ±.024                       | ±.04           |
| THIRD ANGLE PROJECTION   |                | DRN A. PINKARD              | DATE 26 FEB 81 |
| DO NOT SCALE DRAWING   |                | CHK'D R. PUDELKO            | DATE 12 MAR 82 |
| REMOVE BURRS AND BREAK SHARP CORNERS   |                | DES. ENG. D. WARREN         | DATE 12 MAR 82 |
| MATERIAL SEE PARTS LIST  |                | RESP. ENG. D. WILLIAMS      | DATE 12 MAR 82 |
| FINISH NONE  |                | MFG. ENG. J. CHERNOVA       | DATE 12 MAR 82 |
|  |                | TOP DOC. C-1A-7018418-0-DBU |                |
|  |                | TITLE digital               |                |
|  |                | CABLE ASSY, R/W             |                |
|  |                | DOCUMENT NUMBER             |                |
|  |                | SIZE C                      | CODE IA        |
|  |                | NUMBER 7018418-0-DBU        | REV. C         |
|  |                | SCALE NONE                  | SHEET 1 OF 1   |

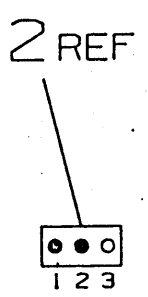
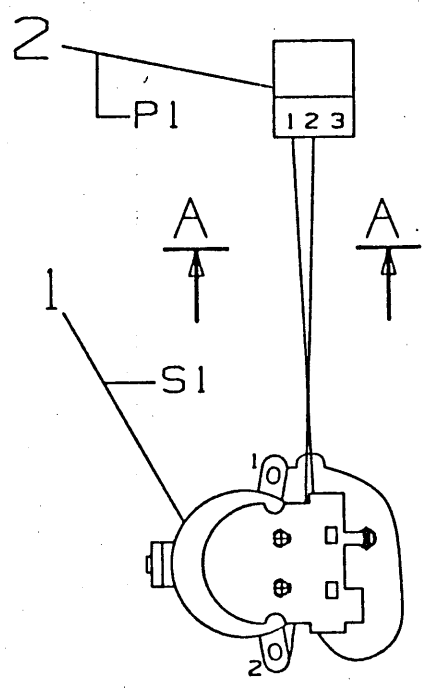
REV. C  
 NUMBER 7018418-0-DBU  
 SIZE CODE C  
 SHEET 1 OF 1

THIS DRAWING AND SPECIFICATIONS, HEREIN, ARE THE PROPERTY OF DIGITAL EQUIPMENT CORPORATION AND SHALL NOT BE REPRODUCED OR COPIED OR USED IN WHOLE OR IN PART AS THE BASIS FOR THE MANUFACTURE OR SALE OF ITEMS WITHOUT WRITTEN PERMISSION.  
 COPYRIGHT © 1982 DIGITAL EQUIPMENT CORPORATION

### WIRE TABLE

| ITEM NO. | DESCRIPTION |       | FROM |      | TO   |      | REMARKS (PRECUT LENGTH) |
|----------|-------------|-------|------|------|------|------|-------------------------|
|          | AWG         | COLOR | CONN | WITH | CONN | WITH |                         |
| 3        | 26          | BLU   | PI-2 | ---  | SI-2 | SLDR | 4.00 ±.12               |
| 4        | 26          | YEL   | PI-1 | ---  | SI-1 | SLDR | 5.00 ±.12               |

- NOTES:
- ROUTE BLUE WIRE BETWEEN FRAME & COIL HSG.
  - ROUTE YELLOW WIRE AROUND BACK OF FRAME THEN BETWEEN FRAME & COIL HSG.



VIEW "A-A"

| LEGEND     |     |           |
|------------|-----|-----------|
| PART NO.   | REV | VARIATION |
| 7018933-00 | A1  | AS SHOWN  |

CAUTION: OFF-SHEET PARTS LIST EXISTS SEE K-PL-7018933-0-DBP

| REVISIONS          | CHANGE NO.    | REV. |
|--------------------|---------------|------|
| RP                 | 7018933-SH001 | A    |
|                    | 7018933-SH001 | B    |
| C.W.FIELDS 6/26/84 |               |      |
| DALE WILLIAMS      |               |      |

FIRST HIGHER ASS'Y B-AD-7019120-0-DBU

| DESCRIPTION  | DRAWING NO.                          | PART NO.            | ITEM NO.        |
|--|--------------------------------------|---------------------|-----------------|
| UNLESS OTHERWISE SPECIFIED DIMENSIONS ARE IN INCHES AND THE FOLLOWING TOLERANCES APPLY (PER DEC STD 114) |                                      |                     |                 |
| INCHES TOLERANCES  | DIMENSION RANGE IN INCHES            |                     |                 |
|  | OVER 12.0 TO 40.0                    | OVER 4.0 TO 12.0    | OVER 0.2 TO 4.0 |
| .X1 ±.1  | .X2 ±.02                             | .XXX ±.005          |                 |
| ANGLES 90° 30'   | SURFACE QUALITY                      |                     |                 |
|  | MICROINCHES                          |                     |                 |
| APPLICABLE DIMENSION RANGE   | CHECK ONE                            |                     |                 |
| QUANTITY & VARIATION   | THIRD ANGLE PROJECTION               |                     |                 |
| DO NOT SCALE DRAWING   | REMOVE BURRS AND BREAK SHARP CORNERS |                     |                 |
| MATERIAL   | SEE PARTS LIST                       |                     |                 |
| FINISH   | NONE                                 |                     |                 |
| DRW. A. PINKARD  | DATE 13 NOV 81                       | TITLE digital       |                 |
| CHK'D R. PUDELKO   | DATE 12 MAR 82                       | CABLE ASSY SOLENOID |                 |
| DES. ENG. D. WARREN  | DATE 12 MAR 82                       | DOCUMENT NUMBER     |                 |
| RESP. ENG. M. CARMAN   | DATE 12 MAR 82                       | SIZE CODE NUMBER    |                 |
| MFG. ENG. G. AIKEY   | DATE 12 MAR 82                       | REV. B              |                 |
| TOP DOC. B-1A-7018933-0-DBU  | SCALE NONE                           | SHEET 1 OF 1        |                 |

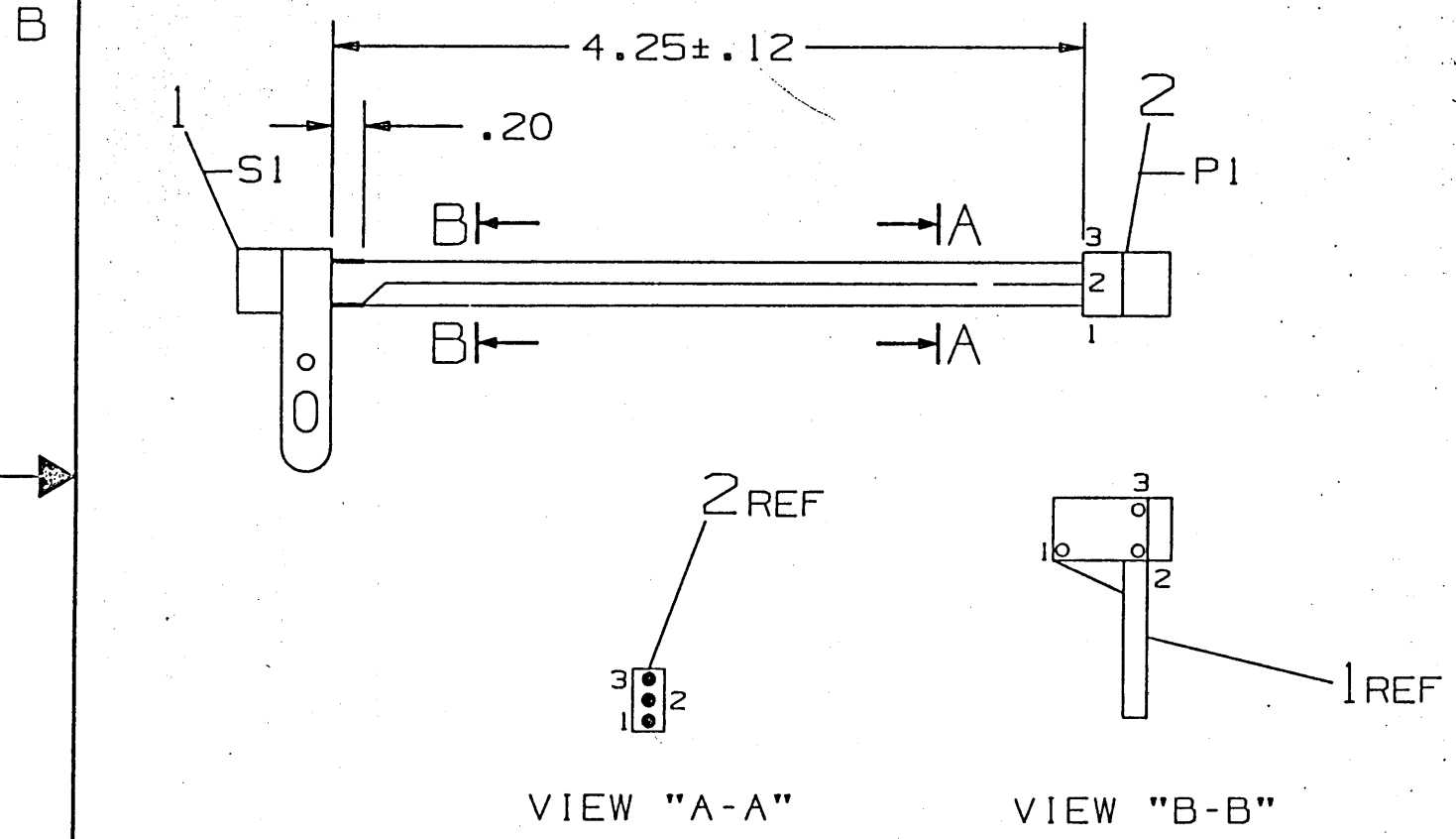
REV. B NUMBER 7018931-0-DBU SIZE CODE B1A 2

"THIS DRAWING AND SPECIFICATIONS, HEREIN, ARE THE PROPERTY OF DIGITAL EQUIPMENT CORPORATION AND SHALL NOT BE REPRODUCED OR COPIED OR USED IN WHOLE OR IN PART AS THE BASIS FOR THE MANUFACTURE OR SALE OF ITEMS WITHOUT WRITTEN PERMISSION. COPYRIGHT © 1982 DIGITAL EQUIPMENT CORPORATION"

WIRE TABLE

NOTES:

| ITEM NO. | DESCRIPTION |       | FROM |      | TO   |      | REMARKS (PRECUT LENGTH) |
|----------|-------------|-------|------|------|------|------|-------------------------|
|          | AWG         | COLOR | CONN | WITH | CONN | WITH |                         |
| 3        | 26          | YEL   | P1-3 | ---  | S1-3 | SLDR | 4.25 ± .12              |
| 4        | 26          | RED   | P1-2 | ---  | S1-1 | SLDR | 4.25 ± .12              |
| 5        | 26          | BLU   | P1-1 | ---  | S1-2 | SLDR | 4.25 ± .12              |



| LEGEND     |     |           |
|------------|-----|-----------|
| PART NO.   | REV | VARIATION |
| 7018931-00 | A1  | AS SHOWN  |

LAYER 2: FORMAT LAYER  
 LAYER 1: WORK LAYER  
 PLOT AT : 1.00

CAUTION: OFF-SHEET PARTS LIST EXISTS  
 SEE K-PL-7018931-0-DBP

| REVISIONS               | REV. |
|-------------------------|------|
| CHANGE NO.              | A    |
| INITIAL                 | B    |
| 7018931-SH001           |      |
| G.C.MACKENZIE 19 MAY 84 |      |
| DALE WILLIAMS           |      |

FIRST HIGHER ASS'Y E-UA-RX50-0-DBU

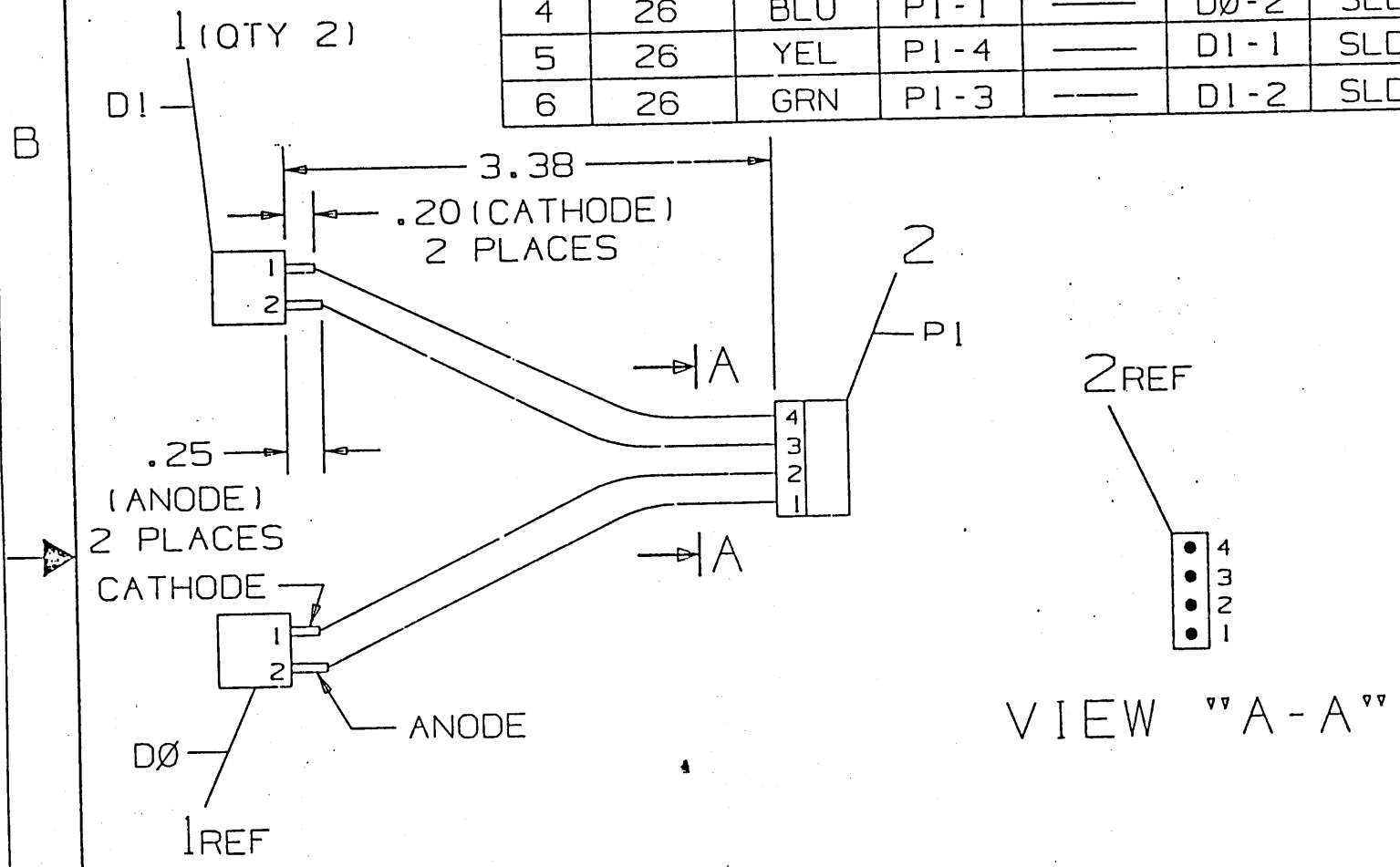
| DESCRIPTION  | DRAWING NO.               | PART NO.                   | ITEM NO.         |
|--|---------------------------|----------------------------|------------------|
| UNLESS OTHERWISE SPECIFIED DIMENSIONS ARE IN INCHES AND THE FOLLOWING TOLERANCES APPLY (PER DEC STD 114) |                           |                            |                  |
| INCHES TOLERANCES  | DIMENSION RANGE IN INCHES |                            |                  |
|  | OVER 0.2 TO 0.2           | OVER 0.2 TO 1.2            | OVER 1.2 TO 40.0 |
| ANGLES 10°-30°   | SURFACE QUALITY           |                            |                  |
| APPLICABLE DIMENSION RANGE   | MICROINCHES               |                            |                  |
| ✓ .XX ± .02  | □ .004                    | □ .008                     | □ .012           |
| ✓ .XXX ± .005  | □ .016                    | □ .020                     | □ .040           |
| THIRD ANGLE PROJECTION   | DATE                      | TITLE                      |                  |
| DO NOT SCALE DRAWING   | 12 NOV 81                 | digital                    |                  |
| REMOVE BURRS AND BREAK SHARP CORNERS   | 12 MAR 82                 | CABLE ASSY, TRACK 0 SENSOR |                  |
| MATERIAL   | 12 MAR 82                 | DOCUMENT NUMBER            |                  |
| SEE PARTS LIST   | 12 MAR 82                 | B 1A 7018931-0-DBU B       |                  |
| FINISH NONE  | 12 MAR 82                 | SCALE NONE SHEET 1 OF 1    |                  |

"THIS DRAWING AND SPECIFICATIONS, HEREIN, ARE THE PROPERTY OF DIGITAL EQUIPMENT CORPORATION AND SHALL NOT BE REPRODUCED OR COPIED OR USED IN WHOLE OR IN PART AS THE BASIS FOR THE MANUFACTURE OR SALE OF ITEMS WITHOUT WRITTEN PERMISSION.  
 COPYRIGHT © 1982 DIGITAL EQUIPMENT CORPORATION"

### WIRE TABLE

| ITEM NO. | DESCRIPTION |       | FROM |      | TO   |      | REMARKS (PRECUT LENGTH) |
|----------|-------------|-------|------|------|------|------|-------------------------|
|          | AWG         | COLOR | CONN | WITH | CONN | WITH |                         |
| 3        | 26          | RED   | PI-2 | ---  | DØ-1 | SLDR | 3.50 ± .12              |
| 4        | 26          | BLU   | PI-1 | ---  | DØ-2 | SLDR | 3.50 ± .12              |
| 5        | 26          | YEL   | PI-4 | ---  | D1-1 | SLDR | 3.50 ± .12              |
| 6        | 26          | GRN   | PI-3 | ---  | D1-2 | SLDR | 3.50 ± .12              |

NOTES:  
 1. BEFORE SOLDERING, ADD ITEM 7 (SHRINK TUBING) 4 PLACES.



| LEGEND     |     |           |
|------------|-----|-----------|
| PART NO.   | REV | VARIATION |
| 7019041-00 | A2  | AS SHOWN  |

LAYER 2: FORMAT LAYER  
 LAYER 1: WORK LAYER  
 PLOT AT: 1.00

CAUTION: OFF-SHEET PARTS LIST EXISTS  
 SEE K-PL-7019041-0-DBP

| REVISIONS | CHANGE NO. | REV. | INITIAL | DATE |
|-----------|------------|------|---------|------|
|           |            | A    |         |      |
|           |            | B    |         |      |
| CHK       |            |      |         |      |
| RP        |            |      |         |      |
|           |            |      |         |      |
|           |            |      |         |      |

FIRST HIGH-CR ASSY B-1A-7019118-0-DBU

| DESCRIPTION   | DRAWING NO.    | PART NO.                   | ITEM NO.                |
|---|----------------|----------------------------|-------------------------|
| UNLESS OTHERWISE SPECIFIED DIMENSIONS ARE IN INCHES AND THE FOLLOWING TOLERANCES APPLY (PER DEC STD 1141) |                |                            |                         |
| INCHES TOLERANCES   | ANGLES 10°-30° | APPLICABLE DIMENSION RANGE |                         |
|   |                | CHECK ONE                  |                         |
| SURFACE QUALITY   | MICROINCHES    | DIMENSION RANGE IN INCHES  |                         |
|   |                | CHECK ONE                  |                         |
| THIRD ANGLE PROJECTION  |                | DATE                       | TITLE                   |
| DO NOT SCALE DRAWING  |                | 13 NOV 81                  | CABLE ASSY              |
| REMOVE BURRS AND BREAK SHARP CORNERS  |                | 12 MAR 82                  | BEZEL LED               |
| MATERIAL  |                | DATE                       | DOCUMENT NUMBER         |
| SEE PARTS LIST  |                | 12 MAR 82                  | B 1A 7019041-0-DBU B    |
| FINISH NONE   |                | DATE                       | SCALE NONE SHEET 1 OF 1 |
|   |                | 12 MAR 82                  |                         |

4

3

2

1 SHO